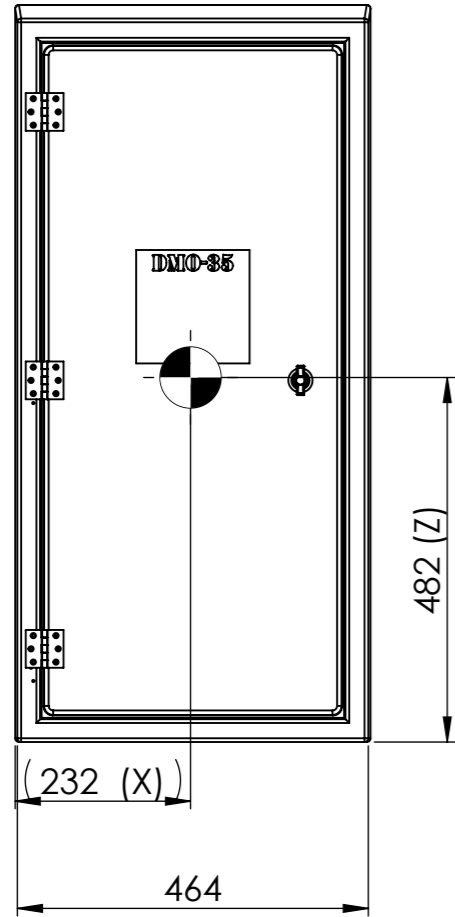
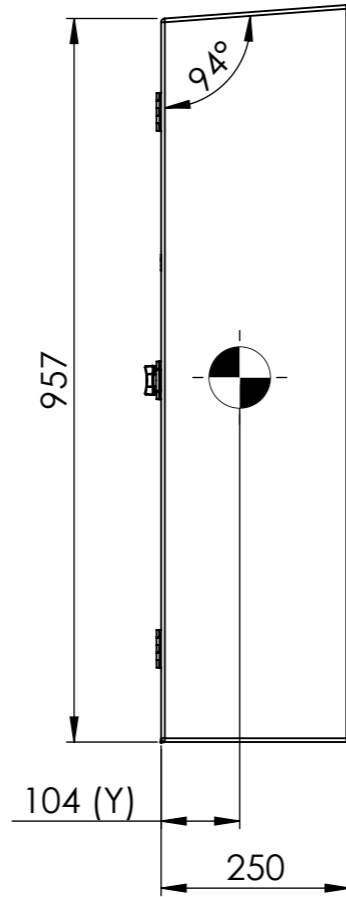


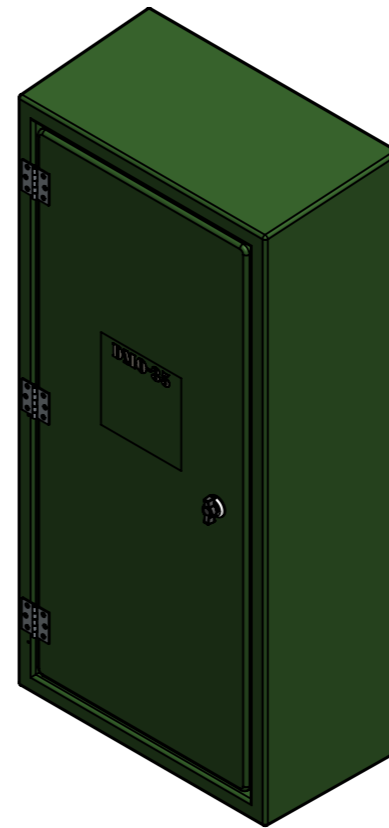
Front View



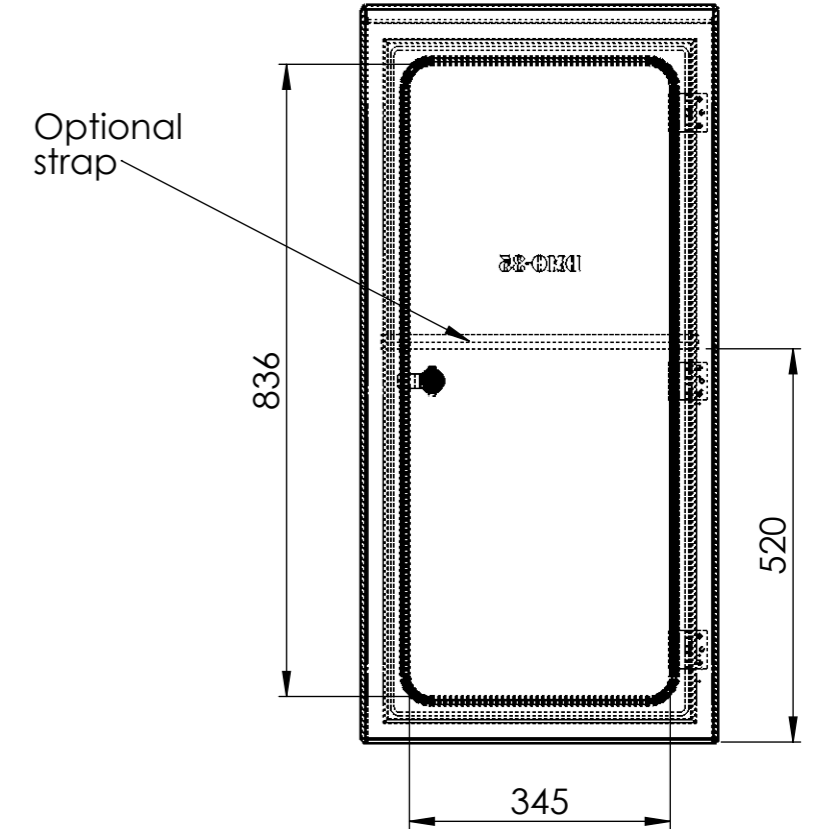
Side View



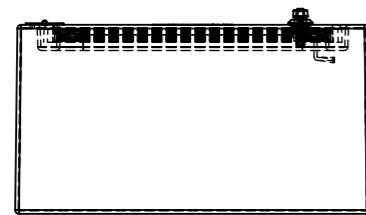
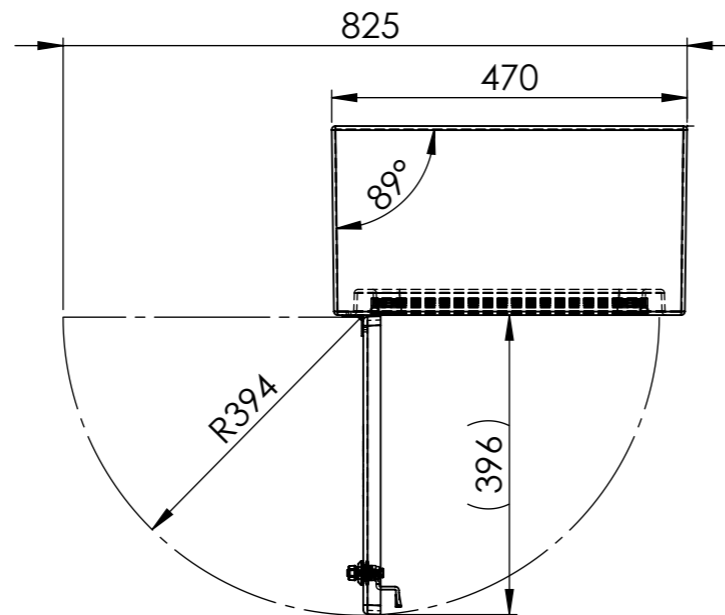
ISO View



Rear View



Top View



Footprint

| | |
|------------------------------|----------------------------------|
| Colour | RALxxxx |
| Material | 3-4mm GRP |
| Lock and hinges | Stainless steel |
| Weight cabinet | xxKg |
| Weight cabinet incl. content | Invulbaar |
| C.O.G. | X 232 / Y 104 / Z 482 from datum |
| Text on cabinet | Invulbaar |
| Tag on cabinet | Invulbaar |
| Mounting instructions | Invulbaar |

| | |
|-------------|--|
| Storage for | |
|-------------|--|

| | | | |
|---|-----------------|-----------------------------|-------------|
| Dräger | Date | Name | SW Filename |
| | Drawn 21-2-2023 | B.S. | DMO_35_00 |
| Dräger Nederland B.V. Marine & Offshore Beurtschipperstraat 1 3194 DK, Hoogvliet-RT the Netherlands | | Comments: +31 10 2952772 | |

| | | | | | |
|-------------|------------|----------------|---------|--------|---------|
| Scale: 1:10 | Projection | Description: | Art.Nr: | Sheet | Format: |
| Units: mm | | DMO Cabinet 35 | DMO_35 | 1 of 8 | A3 |