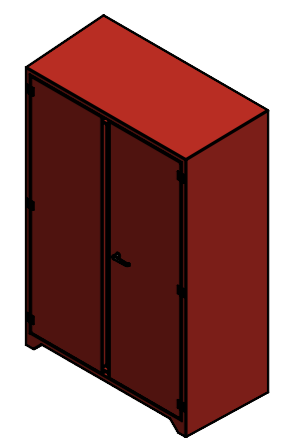
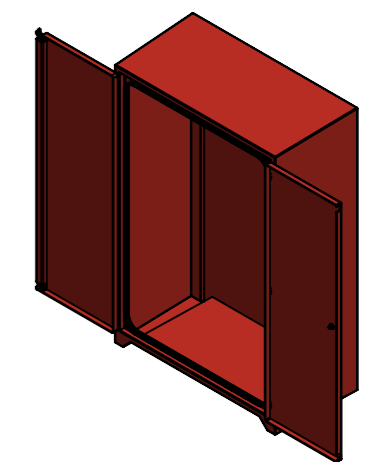


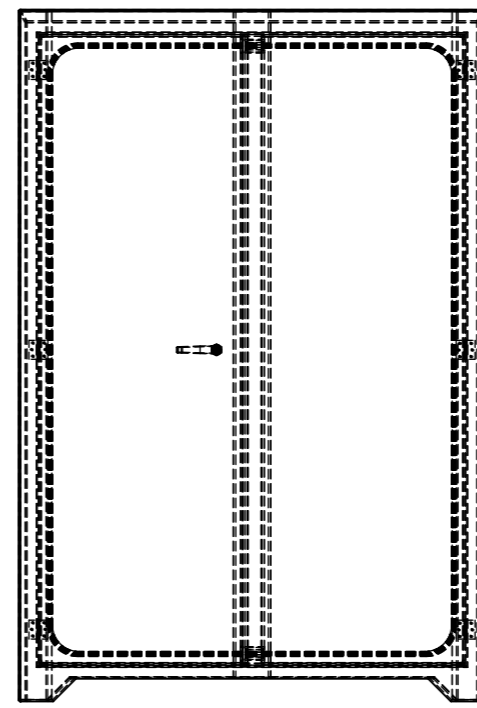
ISO View



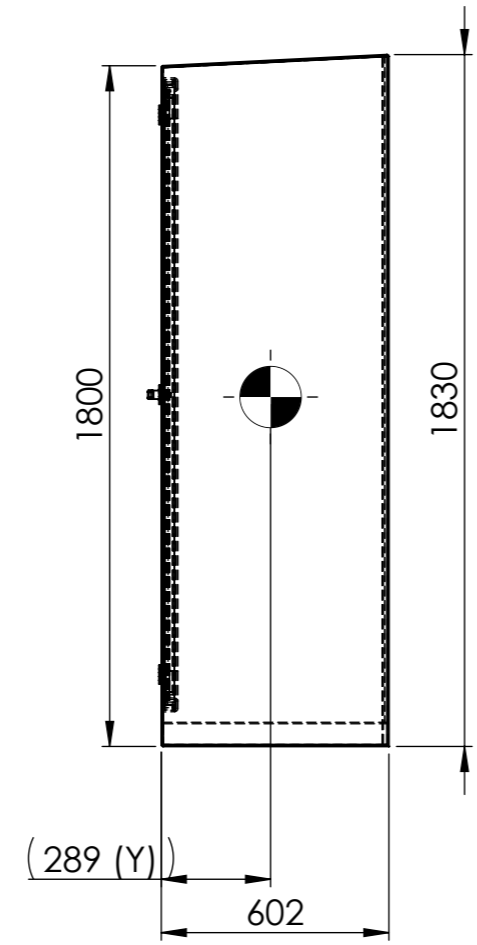
Concept_DMO-04_01



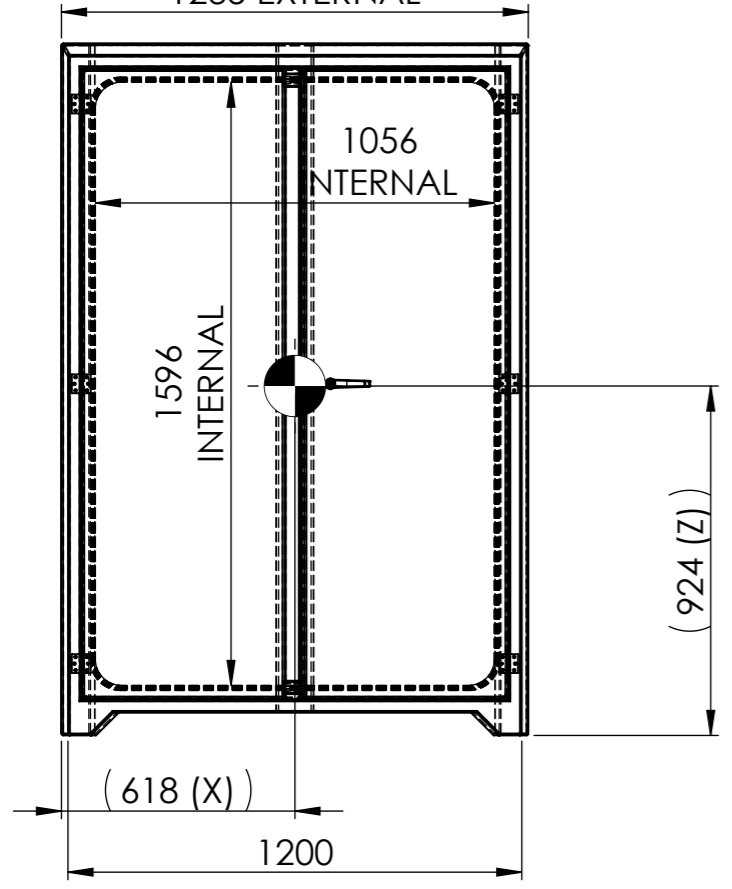
Rear View



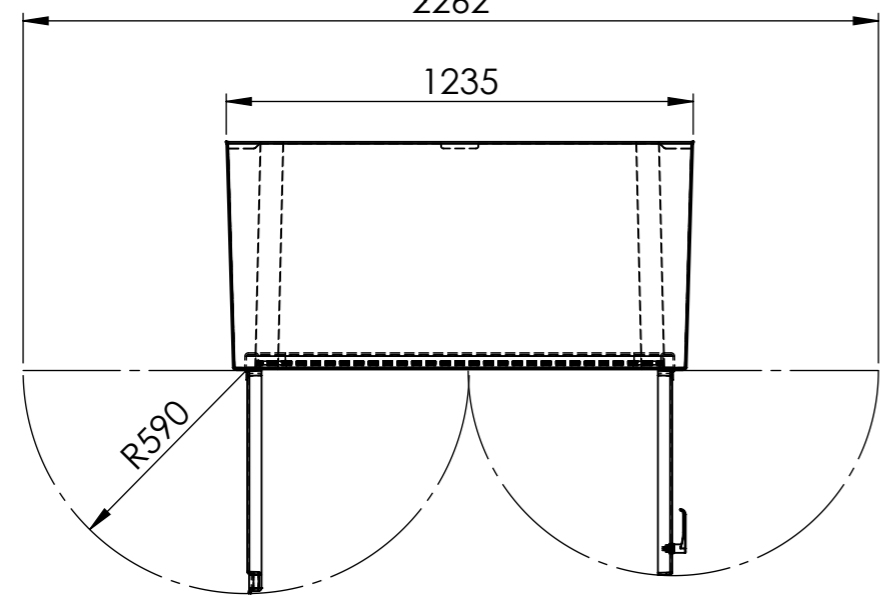
Side View



Front View
1235 EXTERNAL



Top View
2262



Colour	RALxxxx
Material	3-4mm GRP
Lock and hinges	Stainless steel
Weight cabinet	xxKg
Weight cabinet incl. content	Invulbaar
C.O.G.	X-918 / Y-376 / Z-1025 from datum
Text on cabinet	Invulbaar
Tag on cabinet	Invulbaar
Mounting instructions	Invulbaar

Storage for



Dräger Nederland B.V.
Marine & Offshore
Beurtschipperstraat 1
3194 DK, Hoogvliet-RT
the Netherlands
+31 10 2952772

Date	11-11-2022	Name	C.S.	Material	
SW Filename	Concept_DMO-04_01	General tolerance	DIN ISO 2768-c	Mass [kg]	
Comments:		Shape / Pos. tol.	NEN ISO 1101	Roughness	NEN ISO 1302

Scale: 1:20	Projection	Description:	Cabinet 2000x1800x800	Art.Nr:	DMO_04	Sheet	1 of 6	Format:	A3
-------------	------------	--------------	-----------------------	---------	--------	-------	--------	---------	----